



### DCS-F5604/D

### 4MP WDR Vandal-Resistant Network IR Fixed Dome Camera

#### KEY FEATURES



#### OPTICS

- Day/night functionality
- Smart IR, up to 30m (98ft) IR distance
- Up to 120 dB WDR (Wide Dynamic Range)
- 2D/3D DNR (Digital Noise Reduction)

#### COMPRESSION

- Ultra 265, H.264, MJPEG
- Embedded smart algorithm
- ROI (Region of Interest)
- Customized OSD

#### NETWORK

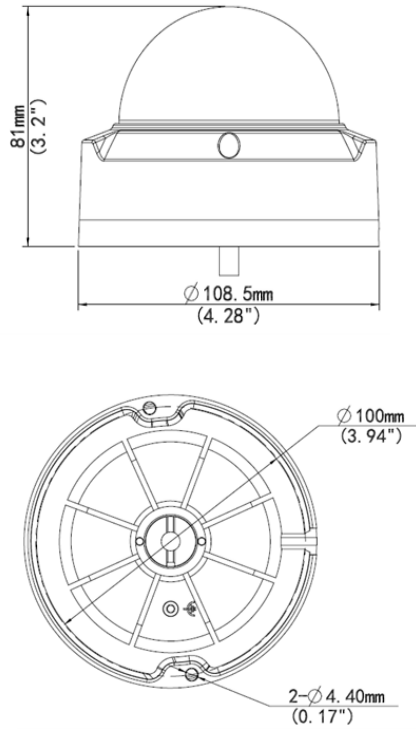
- ONVIF Conformance

#### STRUCTURE

- Wide temperature range: -35°C ~ 60°C (-31°F ~ 140°F)
- Wide input voltage range of ±25%
- IK10 vandal resistant
- IP67
- 3-Axis

Camera					
Sensor	1/3", 4.0-megapixel, progressive scan, CMOS				
Lens	2.8mm@F2.0				
DORI Distance	Lens (mm)	Detect (m)	Observe (m)	Recognize (m)	Identify (m)
	2.8	63	25.2	12.6	6.3
Angle of View (H)	104.4°				
Angle of View (V)	67°				
Angle of View (O)	135.7°				
Adjustment Angle	Pan: 0° ~ 360°		Tilt: 0° ~ 75°		Rotate: 0° ~ 360°
Shutter	Auto/Manual; shutter time: 1 ~ 1/100000s				
Minimum Illumination	Colour : 0.003 Lux (F2.0, AGC ON)				
	0lux with IR				
Day/Night	IR-cut filter with auto switch (ICR)				
S/N	>55dB				
IR Range	Up to 30m (98ft) IR range				
Wavelength	850nm				
IR On/Off Control	Auto/Manual				
Defog	Digital Defog				
WDR	120dB				
Video					
Video Compression	Ultra 265, H.264, MJPEG				
H.264 code profile	Baseline profile, Main Profile, High Profile				
Frame Rate	Mainstream: 4MP (2592*1520), Max 20fps;4MP (2560*1440), Max 25fps;3PM (2048*1520), Max 30fps.				
	Sub Stream: 2MP (1920*1080), Max 30fps.				
	Third Stream: D1 (720*576), Max 30fps				
Video Bit Rate	128 Kbps~16 Mbps				
9:16 Corridor Mode	Supported				
OSD	Up to 8 OSDs				
Privacy Mask	Up to 8 areas				
ROI	Up to 8 areas				
Motion Detection	Up to 4 areas				
Image					
White Balance	Auto/Outdoor/Fine Tune/Sodium Lamp/Locked/Auto2				
Digital Noise Reduction	2D/3D DNR				
Smart IR	Support				
Flip	Normal/Vertical/Horizontal/180°/90°Clockwise/90°Anti-clockwise				
Dewarping	N/A				
HLC	Support				
BLC	Support				
Audio					
Audio Compression	G.711				
Two-way audio	Supported				
Suppression	Supported				
Sampling Rate	8KHZ				

### DIMENSIONS



Storage	
Edge Storage	Micro SD, up to 256GB
Network Storage	ANR, NAS(NFS)
Network	
Protocols	IPv4, IGMP, ICMP, ARP, TCP, UDP, DHCP, PPPoE, RTP, RTSP, RTCP, DNS, DDNS, NTP, FTP, UPnP, HTTP, HTTPS, SMTP, 802.1x, SNMP, QoS
Compatible Integration	ONVIF (Profile S, Profile G, Profile T), API
Web Browser	Plug-in required live view: IE9+, Chrome 41 and below, Firefox 52 and below
	Plug-in free live view: Chrome 57.0+, Firefox 58.0+, Edge 16+ Safari 11+
Interface	
Audio I/O	Input: impedance 35kΩ; amplitude 2V [p-p]
	Output: impedance 600Ω; amplitude 2V [p-p]
Alarm I/O	1/1
Network	1 RJ45 10M/100M Base-TX Ethernet
Certifications	
Certifications	CE: EN 60950-1 UL: UL60950-1 FCC: FCC Part 15
General	
Power	DC 12V±25%, PoE (IEEE 802.3af)
	Power consumption: Max 5W
Dimensions (∅ x H)	∅108.5 x 81mm (∅4.28" x 3.2")
Net Weight 0.45kg (0.99lb)	0.45kg (0.99lb)
Material	Shield: PC Body: Metal Bottom Plate: Metal
Working Environment	-35°C ~ 60°C (-31°F ~ 140°F), Humidity: ≤95% RH (non-condensing)
Storage Environment	-35°C ~ 60°C (-31°F ~ 140°F), Humidity: ≤95% RH (non-condensing)
Surge protection	2KV
Ingress Protection	IP67